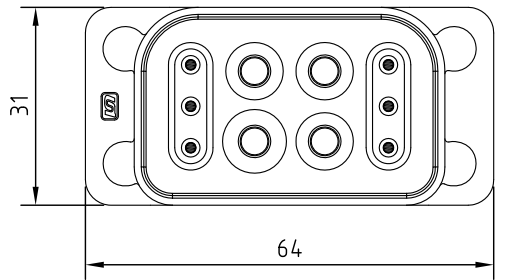
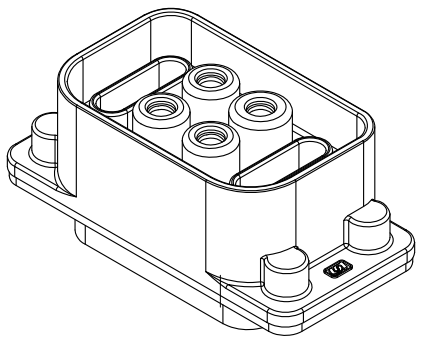
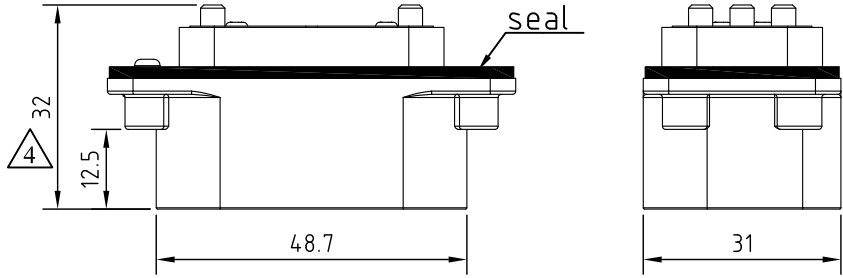
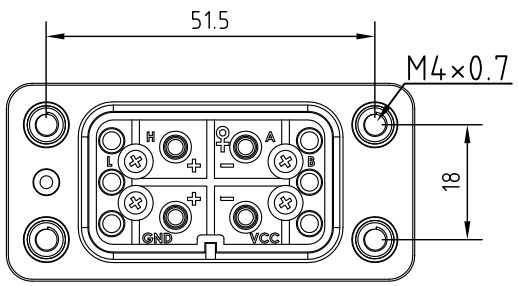


REV.	Description	Date
1	operating temp. revise	2014/6/12
2	contact resistance revise	2016/4/19
3	part number change	2021/4/6
4	dimension revise	2026/6/23



Electronical Characteristics

- Rated voltage : 600V
- Rated current : Large pin 30A  
Small pin 5A
- Contact resistance : Large pin <5mΩ  
Small pin <30mΩ
- Insertion force : <80N
- Withdrawal force : <80N
- Operating temperature : -20°C TO +85°C

RoHS  
TOLERANCE X±0.5 .X±0.3



**Unicable Co., Ltd. 國陽電業有限公司**

5F., No. 111-33, Sec. 4, San Ho Road., San Chung Dist., New Taipei City, Taiwan  
http://www.unicable.com.tw Tel:+886-2-2286-2122 Fax:+886-2-2286-1010

PART NO.	3215A-A16F2510P-01/UT-4324		
DATE	2026/6/23	UNIT	MM
DWN	GINA	REV.	4
CHK			

ITEM	Connector Female
------	------------------